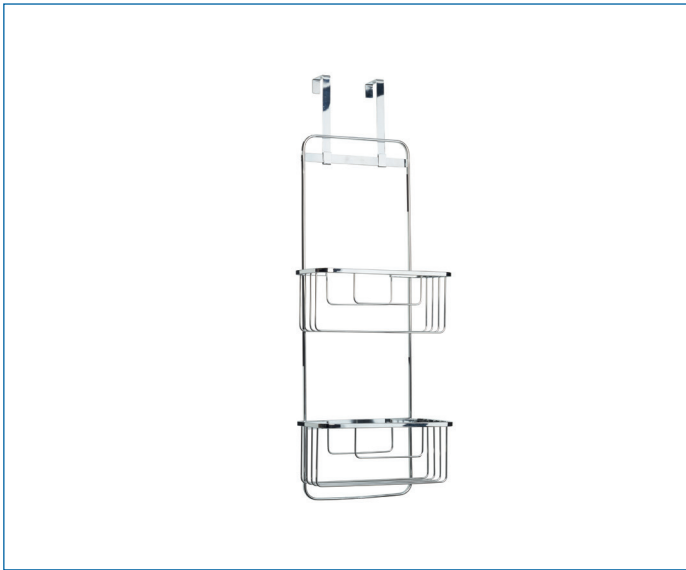


**RUST
FREE**

**FIVE
YEAR
GUARANTEE**

QM261241

HOOK OVER DOOR DOUBLE STORAGE BASKET



ILLUSTRATED

QM261241 Hook Over Door Double Storage Basket

CONFIGURATIONS

MATERIAL

Mild Steel

COLOURS

High Polish Chrome Plate

WEIGHT

N/A

PACKAGING

Card Wrap with Polypropylene Hook

FREQUENTLY USED APPLICATIONS

Residential

FEATURES

Simple and contemporary metal baskets with self-adhesive pad to secure the baskets in place.

Two easy to install fixing options:

- Use the over door hooks supplied or
- Screw to the wall or door

Two spacious storage baskets.

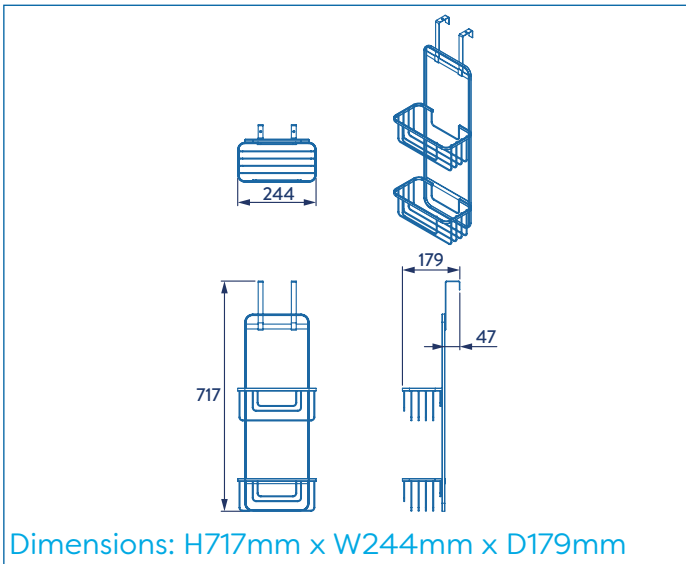
Durable chrome plated steel.

Designed to fit doors up to 40mm thick.

CARE AND MAINTENANCE

Clean surfaces with a damp cloth and wipe dry using a soft cloth.

Do not use chemical or abrasive cleaners as these may damage the surface finish.



Dimensions: H717mm x W244mm x D179mm

GUARANTEE

Consumer Statutory Rights Apply

Tel: +44 (0) 1264 365881
Fax: +44 (0) 1264 356437
Email: info@croydex.co.uk
Web: www.croydex.com

Printed material, designs and packaging are protected by copyright and design right.

Date Created:30/06/17 | REV 001